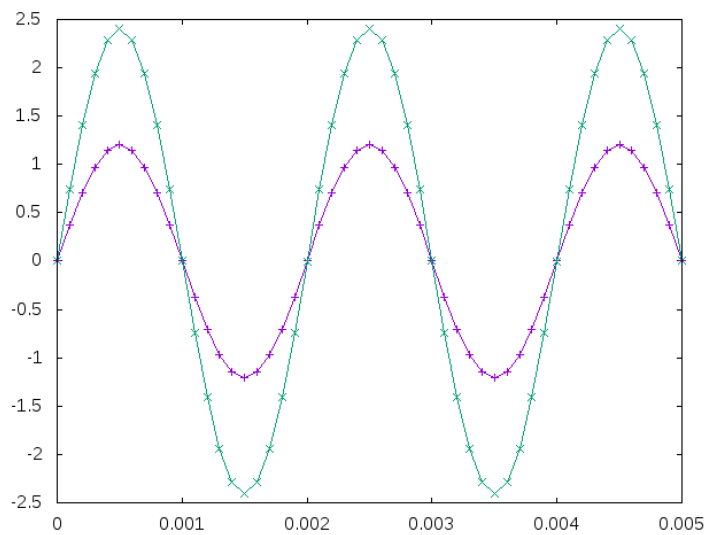
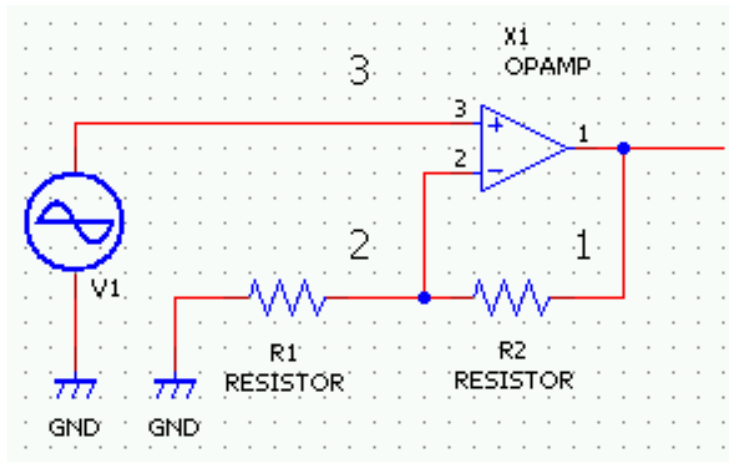


OpAmp-NonInvertingAmp



```

*OPAMP NON-INVERTING AMP
V1 3 0 0      sin( 0 1.2 500 )
R1 2 0 100
R2 1 2 100
X1 3 2 1      OPAMP
.SUBCKT OPAMP 1 2 6
R_in  1 2 10MEG
E_gain 3 0 1 2 100k
R_p1  3 4 1k
C_p1  4 0 1.59p
E_buffer 5 0 4 0 1
R_out  5 6 10
.ENDS
.PLOT TRAN v(3) v(1)
    
```

```
.TRAN .1m 5m 0
.END
.
1
```

¹<http://spice-online.blogspot.com/search/label/OpAmp-NonInvertingAmp>