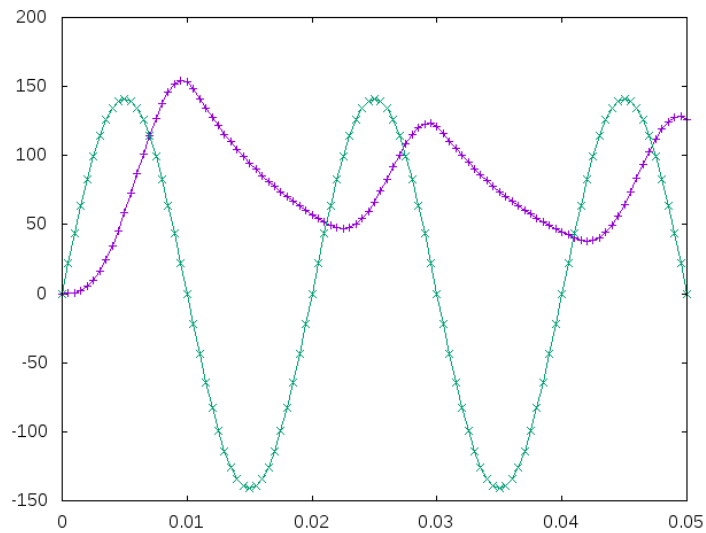
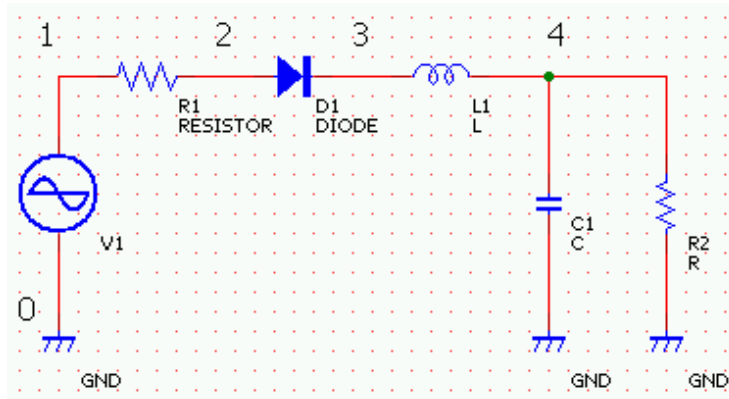


Rectifier-ChokeIn



```
*Rectifier CHOKE INPUT
V1 1 0 0 sin( 0 141 50 )
R1 2 1 5
D1 2 3 Diode
L1 3 4 0.1
C1 4 0 100u
R3 4 0 100
.MODEL Diode D()
.PLOT TRAN v(4) v(1)
.TRAN .5m 0.05 0
.END
.
```

¹<http://spice-online.blogspot.com/search/label/Rectifier-ChokeIn>